

# SX4000 II

Dental Treatment Unit



## Standard Features & Function



### Assistant's element

The assistant's element integrates a keypad panel for adjusting essential items such as the treatment unit positions and operating light. The high power 19 mm vacuum syringe, saliva ejector and three way syringe are provided via an extendable arm for efficient ergonomics.



### Operator's tray

The wide tray on the doctor's element is designed to accommodate all required materials and instruments. It is equipped with five instrument lines and holders including the integrated priority system. The tray is easy to clean for ideal hygiene.



### Operating light with detachable handle

The OL-N LED operating light provides vivid natural color with high luminescence. Equipped with a motion sensor, it enables non-contact control for on/off functions. The light intensity can be varied with four selectable levels controlled from the operator's element. The handles are detachable and autoclavable.



### Double lock headrest

The articulated headrest utilizes a double pivot action to provide complete freedom of movement for the patient's comfort and operator's access.



### Optimal basin design

The large smooth basin design provides optimal patient access with easy cleaning for uncompromised hygiene.



### Water Tank

Distilled water is supplied for handpiece



### Foot Control

The ergonomically designed foot controller ensures the operator has easy control of the treatment unit positions.



### Junction Box

Convenient for installing the chair unit



### Armrest

Well-balanced single armrest provided

## Optional Features & Function



Monitor support light pole

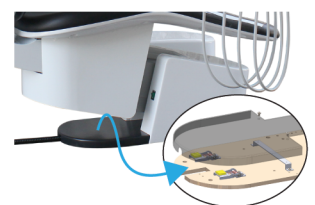


Monitor support table



### Mobile Cart

The control panel on the operator's element provides intuitive and effortless selection of chair movement controls, operating light and instrument functions from the keypad. The mobile cart equipped with the operator's element is optionally available.



### Safety lock under base

Emergency stop under base cover

## Standard Equipment

### Doctor side

- Doctor tray table with 5 instrument holders
- High speed air turbine circuit with fiber optic 4H tubing (2)
- Low speed air motor circuit with 4H tubing (1)
- Doctor side 3-way syringe with tubing (1)
- Doctor's switch panel
- Dental size film viewer

### Assistant side

- Assistant instrument 3 holders
- High power suction syringe
- Saliva ejector on assistant side
- 3-way syringe with tubing
- Assistant's switch panel
- Emergency stop by holder bar

### Spittoon unit body

- Hygienic ceramic spittoon with water basin
- Sensor-type cup filler
- Drain cut-filter
- Manual water control knobs for water basin
- On-Off switches for basin water & cup filler
- Water tank

### LED Operating light

- On-Off by automatic positioning
- Operating light On-Off by sensor

### Foot controller

- Foot pedal for handpieces & levers for chair movement
- Switch for water supply for handpieces
- Switch for light On-Off
- One preset positioning & zero position
- Emergency stop by pedal

### Armrest

- Single armrest

### Junction box

- Main air & water
- Adjusted to local line voltage

### Chair driving system

- Main electric switches
- Hydraulic system
- Two preset positioning & zero position
- Gargling positioning & last treatment positioning

### Vacuum system

- Air vacuum system or motor vacuum system

## Optional Equipment

- 2H, 3H, Tubing for high & low speed
- Built-in micromotor
- Built-in type scaler
- Built-in type light cure
- Instrument intraoral camera holder
- LCD Monitor arm

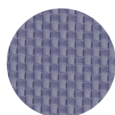
- LCD Monitor adapter on doctor tray
- Water warmer
- Motor suction wet or dry system
- Water venturi saliva ejector
- Emergency stop under base cover

\*We reserve the right to change the specifications without prior notice\*

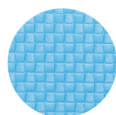
## Colour Guide



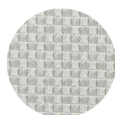
Black



Cool violet



Sky blue



\*Shiny silver



Orange SOR



Orange SOG



Yellow



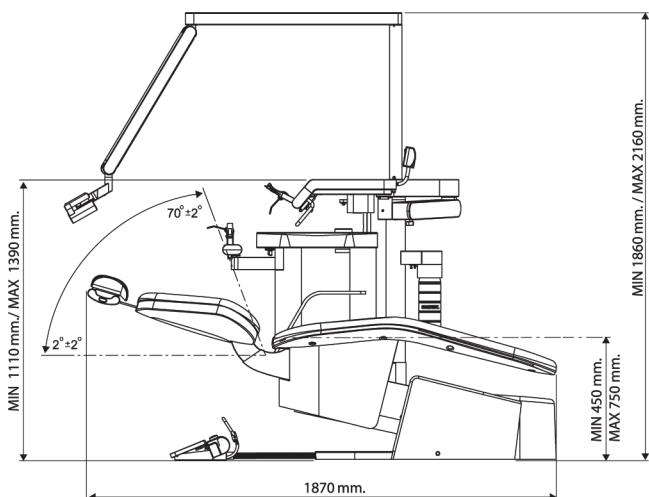
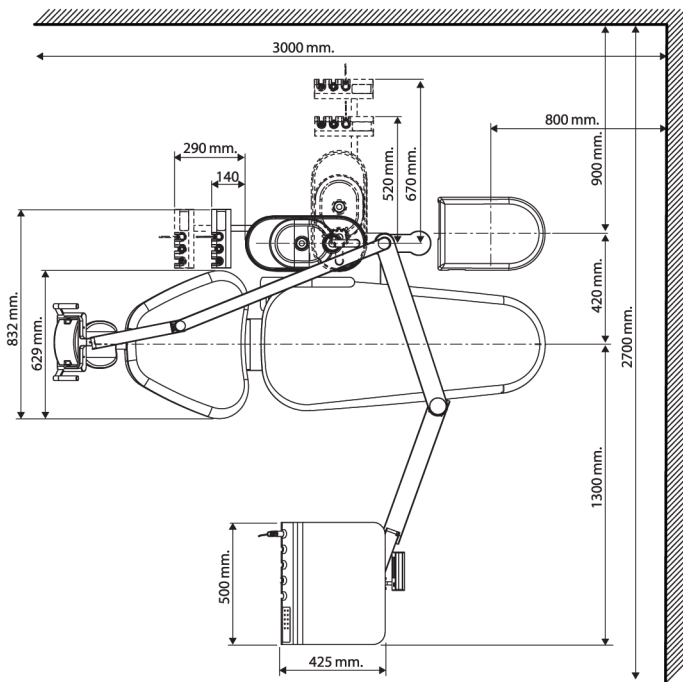
Pink



Light gray

# SPECIFICATIONS

<b>Name / Model:</b>	SX4000 TYPE II
<b>Input voltage:</b>	100 / 220 / 230 / 240VAC
<b>Frequency:</b>	50 / 60 Hz
<b>Power consumption:</b>	1.5 kVA
<b>Patient seat elevation system:</b>	Hydraulic pantograph system
<b>Seat height:</b>	Max 780 ± 20 mm. Min 450 ± 20 mm.
<b>Backrest tilt angle:</b>	70° at upright position tilt angle 2° (from horizontal level)
<b>Weight:</b>	Approximately 300 kg



## SIAMDENT.

A Morita Group Company

**Siamdent Co., Ltd.**

71/10 Moo. 5, T. Tharkham, A. Bangpakong, Chachuengsao 24130 Thailand

TEL:+66 (0) 3857 3042, FAX:+66 (0) 3857 3043

[www.siamdent.com](http://www.siamdent.com)



S-EDS-024-0004T/06-03-24/A