

SIAMDENT.
A Morita Group Company



Dental Treatment Unit
SX3000II
type R2



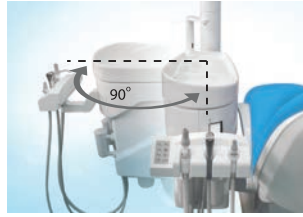
“โฆษณาโดยตรงต่อผู้ประกอบการวิชาชีพทางการแพทย์และสาธารณสุขที่ได้รับการยกเว้นโดยไม่ต้องขออนุญาต”

S-EDS-024-0001T/30-4-24/C

Standard Features



Assistant's Syringe Holder
High power suction syringe, saliva ejector and 3-way syringe are provided with multi-functional keypad switch



Spittoon Unit Body
Hygienic ceramic spittoon with cup filler, water basin and assistant's instrument holders



LED Operating Light
Bright shadow-free illumination & detachable silicone handle cover.



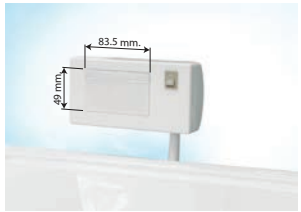
Armrest
Well-balanced single armrest provided



Extendable Headrest
Adjustable positioning for children & adults



Doctor Tray Table
Spacious tray table with 5 instrument holders and first priority system



Dental Size Film Viewer



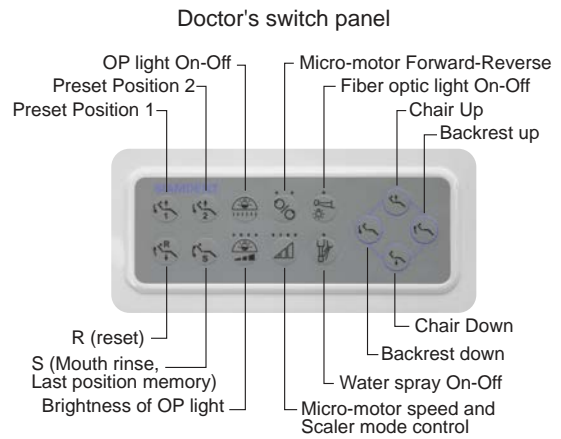
Water Tank
Distilled water is supplied for handpiece



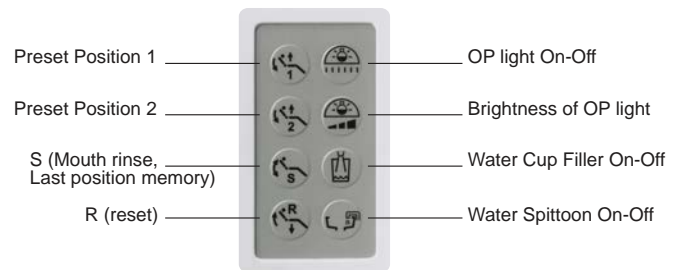
Junction Box
Convenient for installing the chair unit



Foot Controller
Easy-to-use one foot pedal with multi-functions



Assistant's switch panel



Optional Features



Safety Lock Under Base
Emergency stop under base cover



Double Armrest



Articulated Headrest
The articulated headrest can extend and be adjusted to a multiple position.



LCD Monitor Arm
LCD Monitor Arm Without Monitor



Panorama Size Film Viewer

Standard Equipment

Doctor side

- Doctor tray table with 5 instrument holders
- High speed air turbine circuit with fiber optic 4H tubing (2)
- Low speed air motor circuit with 4H tubing (1)
- Doctor side 3-way syringe with tubing (1)
- Doctor's switch panel
- Dental size film viewer

Assistant Side

- Assistant instrument 3 holders
- High power suction syringe
- Saliva ejector on assistant side
- 3-way syringe with tubing
- Assistant's switch panel
- Emergency stop by holder bar

Spittoon Unit Body

- Hygienic ceramic spittoon with water basin
- Sensor-type cup filler
- Drain cut-filter
- Manual water control knobs for water basin
- On-Off switches for basin water & cup filler
- Water tank

LED Operating light

- On-Off by automatic Positioning
- Operating light On-Off by sensor
- Brightness 4 levels

Foot Controller

- Foot pedal for handpieces & levers for chair movements
- Switch for water supply for handpieces
- Switch for light On-Off
- One preset positioning & zero position
- Emergency stop by pedal

Armrest

- Single armrest

Junction box

- Main electric, air & water switches
- Adjusted to local line voltage
- Anti-Return Valve (Check Valve)

Chair Driving System

- Hydraulic system
- Two preset positioning & zero position
- Gargling positioning & last treatment positioning

Vacuum System

- Air vacuum system or Motor vacuum system

Optional Equipment

* 2H, 3H, Tubing For high & low speed

* Built-in Micromotor

* Built-in type scaler

* Panorama size film viewer

* LCD Monitor arm at light pole

* LCD Monitor at Tray table

We reserve the right to change the specifications without prior notice

* Water warmer

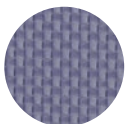
* Double armrest

* Motor suction wet on dry system

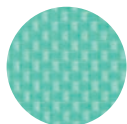
* Emergency stop under base cover

* Articulated Headrest

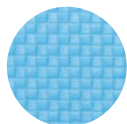
Colour Guide



Cool violet



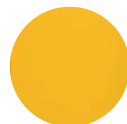
Fresh green



Sky blue



Orange SOR



Orange SOG



Yellow



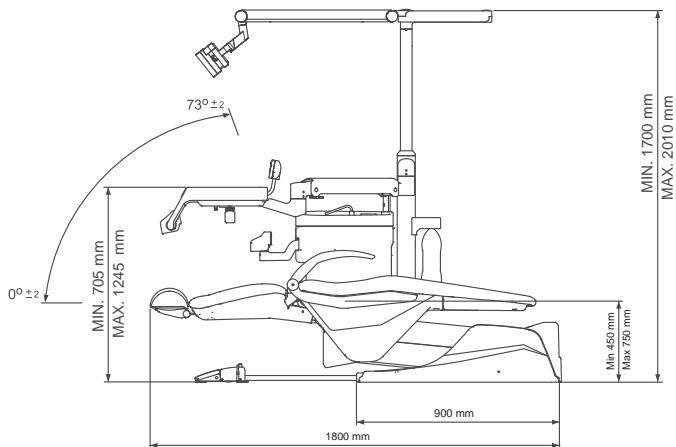
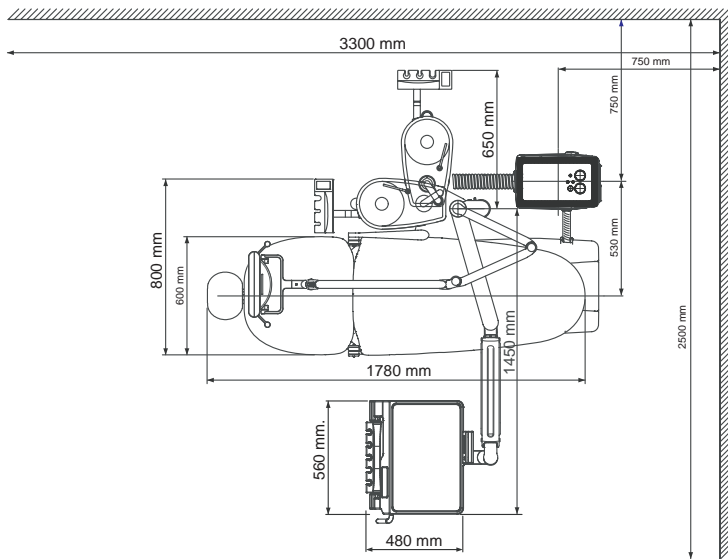
Pink



Light gray

SPECIFICATIONS

Name / Model:	SX3000II TYPE R2
Input voltage:	100 / 220 / 230 / 240VAC
Frequency:	50 / 60 Hz
Power consumption:	1.5 kVA
Patient seat elevation system:	Hydraulic pantograph system
Seat height:	Max 750 ± 20 mm. Min 450 ± 20 mm.
Backrest tilt angle:	73° at upright position tilt angle 2° (from horizontal level)
Weight:	Approximately 200 kg



* dimension tolerance ± 20 mm

SIAMDENT.

A Morita Group Company

Siamdent Co., Ltd.

71/10 Moo. 5, T. Tharkham, A. Bangpakong, Chachuengsao 24130 Thailand

TEL:+66 (0) 3857 3042, FAX:+66 (0) 3857 3043

www.siamdent.com



CE 0123



S-EDS-024-0001T/30-4-24/C